

TRUNNION MOUNTED BALL VALVE

API 6D TRUNNION MOUNTED BALL VALVE



www.jagvalve.com





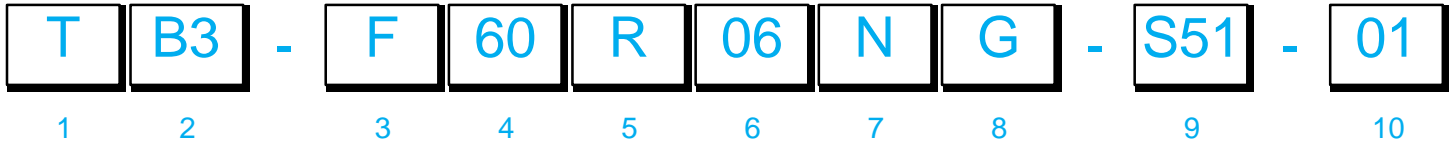
Since 2005, JAG flocomponents has delivered quality valves at exceptional value. JAGflo manufactures JAG trunnion mounted ball valves and specialty valves for the Oil and Gas and related industries. Forged from industry veterans, JAGflo fills the need to supply flow control products with uncompromising quality at globally competitive values. Our commitment to quality drives everything we do to ensure our customers receive a reliable product on time and on budget.

The perfect combination of manufacturing and global materials, JAG valves offer end-users an economical choice with proven reliability and on time delivery. JAGflo is ISO 9001 certified operating under strict quality guidelines. Every valve is carefully assembled and tested before leaving our facility to ensure your project runs smoothly, on time and on budget. With hundreds of thousands of valves installed worldwide, JAGflo has earned a reputation that you can depend on.

www.jagvalve.com



Part Number Configuration



1-Type	2-Construction	3-Port
--------	----------------	--------

T - Trunnion F - Floating	E1 - End Entry (1 pc) B2 - Bolted (2 pc) B3 - Bolted (3 pc) W3 - Welded (3 pc)	F - Full Port R - Reduced Port
------------------------------	---	-----------------------------------

4-Nominal Size			
----------------	--	--	--

05 - 1/2"	30 - 3"	140 - 14"	280 - 28"
07 - 3/4"	40 - 4"	160 - 16"	300 - 30"
10 - 1"	60 - 6"	180 - 18"	320 - 32"
15 - 1.5"	80 - 8"	200 - 20"	360 - 36"
20 - 2"	100 - 10"	240 - 24"	420 - 42"
25 - 2.5"	120 - 12"	260 - 26"	480 - 48"

5-Connection	6-Pressure	7-Body/ Service
--------------	------------	-----------------

A - RF Smooth B - BW Sch 40 C - BW Sch 80 E - BW Sch XXH J - RTJ R - Raised Face X - Special	01 - ASME 150 03 - ASME 300 06 - ASME 600 09 - ASME 900 15 - ASME 1500 25 - ASME 2500	L - LF2 / NACE N - A105N / NACE X - Special
--	--	---

8-Operator	9-Soft Goods	10-Trim
------------	--------------	---------

G - Gear H - Handle B - Bare Stem	S1 - HNBR / RTFE Seats S2 - HNBR / Nylon Seats S3 - HNBR / PEEK Seats S50 - Viton 90D / RTFE Seats S51 - Viton 90D / Nylon Seats	01 - C.S. + 3 mil ENP 02 - 316 SS 03 - 316 SS Ball/Seats, 17-4 PH Stem 04 - 17-4 PH
---	--	--

For additional configurations, please consult JAGflo

JAG Valve trunnion mounted ball valves are developed from years of engineering experience backed by a worldwide quality program. Every step of JAGflo's process, from material sourcing to final assembly and testing, is carefully planned and implemented in order to ensure lasting reliability.



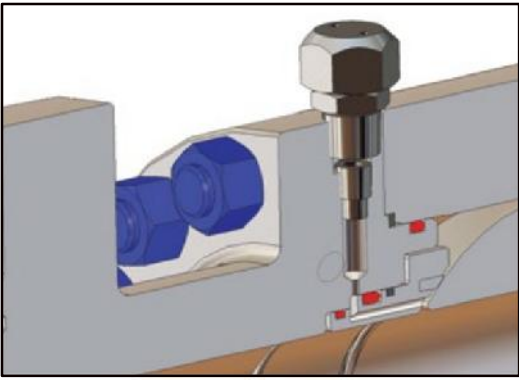
DESIGN

JAG trunnion mounted ball valves are designed and manufactured in accordance with the latest industry standards.

- *3-piece body design provides easy access for on-site maintenance.*
- *Special face to face dimensions can be supplied.*
- *Available in full or reduced bore with raised face, ring type joint, weld end or hub connections. Pressure ratings range from ASME 150 through ASME 2500.*

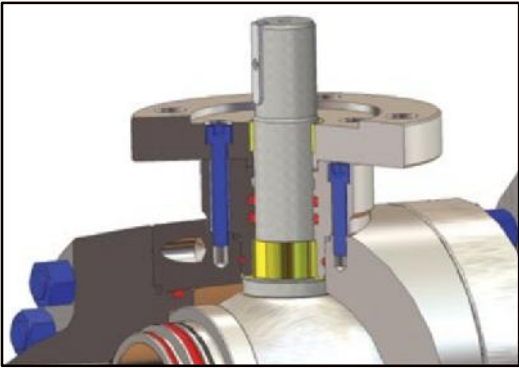
MATERIAL SELECTION

Valves are manufactured in a range of forged materials including A105, LF2, Stainless Steel, Duplex, Monel, Inconel and other special alloys. JAGflo uses forged materials, which ensures a high integrity material grain structure and improved sealing between the components. Sealing is by O-rings and graphite rings. The graphite ring continues to provide a seal in the event of a fire. O-rings can be supplied suitable for AED applications in a variety of materials.



SEAT

Independent seats with preloaded Inconel X750 springs are always in contact with the ball giving a perfect seal, even at low pressure. The replaceable seat rings and soft inserts can be supplied in materials to suit most service conditions. Most sizes and classes have a sealant injection system fitted as standard. This allows emergency sealing to be carried out in the event of damage to the soft seat. Seats are available in single or double piston effect configurations.



STEM

Stems are manufactured separately from the ball and feature an anti-blowout design. Stems are supported by RPTFE-lined bushings which reduce valve torque. Stem sealing is by O-rings and graphite rings. From 2" and above, stems are supplied with a sealant injection system.

ANTI STATIC DEVICE

Electrical conductivity is achieved by fitting a positive contact device between the stem, ball and bonnet.

DOUBLE BLOCK AND BLEED

JAG trunnion mounted valves are equipped with a vent and drain plug, which allow the cavity to be relieved when pressure is applied to both sides of the ball simultaneously. JAG valves are equipped with sealant injection fittings and vent and drain plug fittings in 316 SS as a standard.

TESTS

Valves are tested in accordance with API 6D, API 598, ASME B16.34 and other applicable standards.

FIRE TEST CERTIFICATION

Valves are designed and certified by an Independent Authority according to API 607.

ACCESSORIES

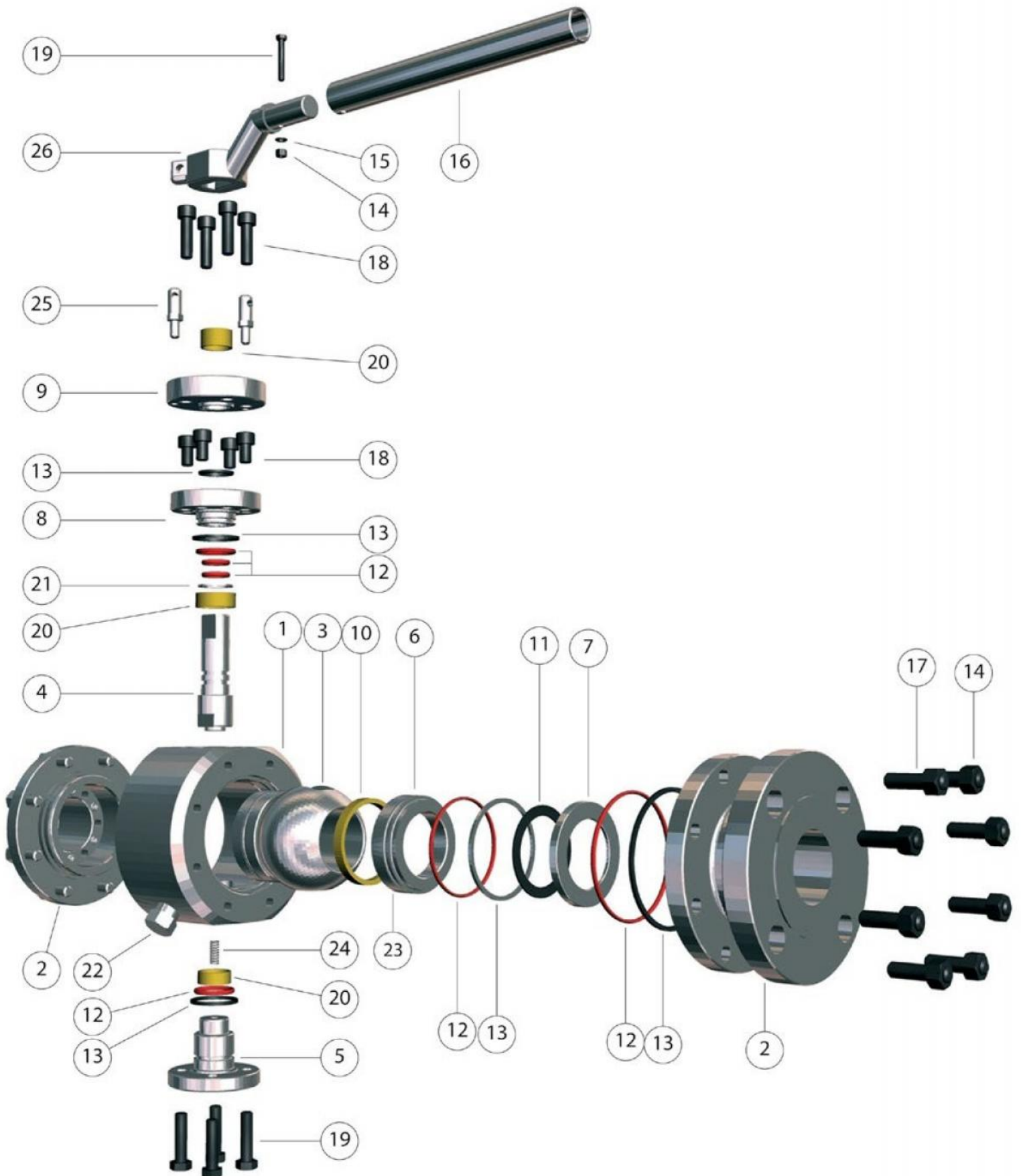
JAGflo provides locking devices, pipe pups, stem extensions coating and valve automation per customer requirements. Suitable materials, components, seats and O-rings can be supplied for explosive decompression, cryogenic or marine applications.

EXTERNAL COATING

Carbon steel valves are normally supplied with JAG standard paint finish. Valves can also be unpainted or finished to customers' paint specification.

JAGflo offers a wide variety of materials and options to meet your project requirements

2" - 4" Trunnion Mounted Ball Valve

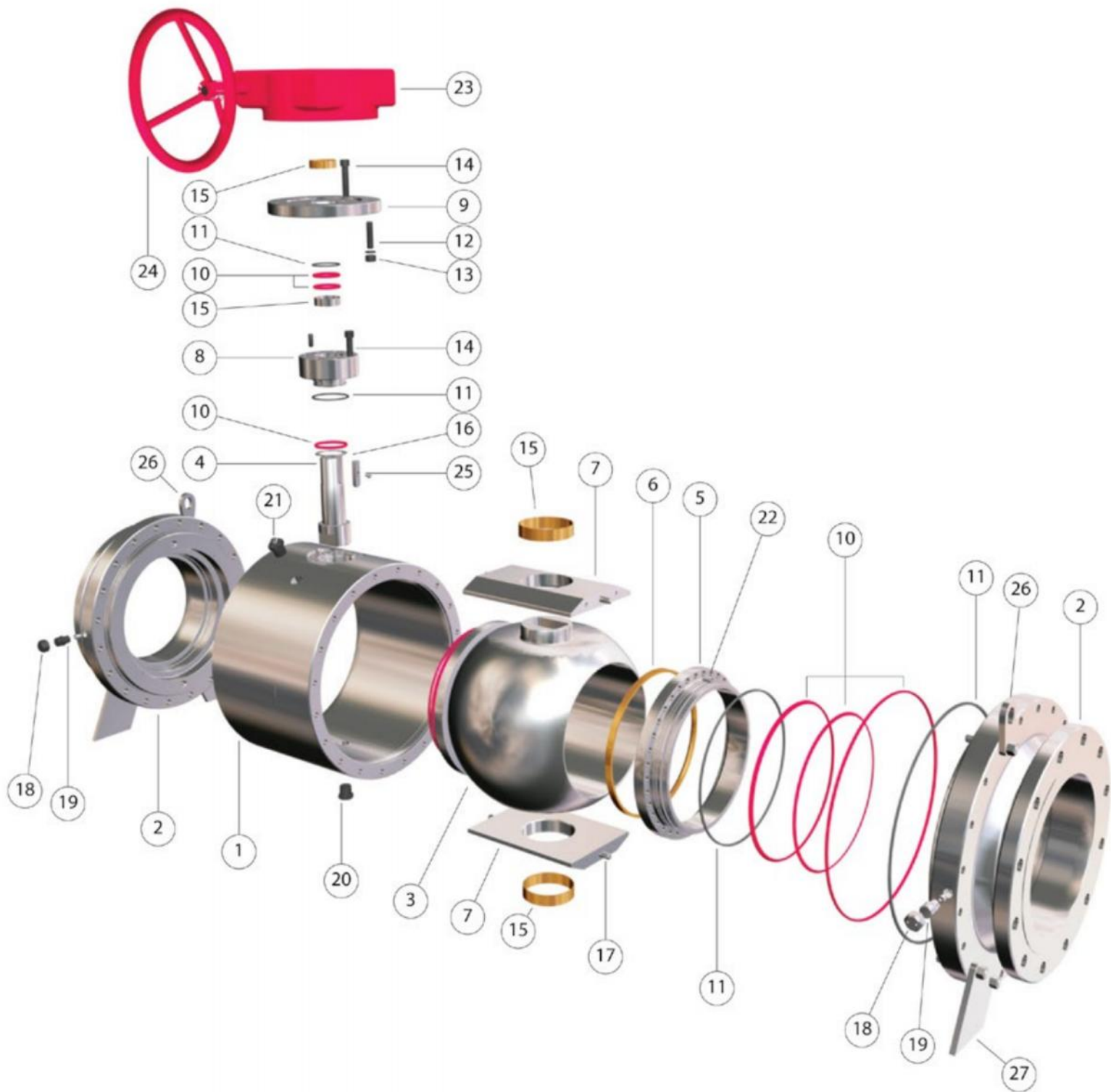


Bill of Materials

ITEM (TRIM)	PART	STANDARD NACE	LOW-TEMP NACE	STAINLESS STEEL NACE
1	BODY	ASTM A105N	ASTM A350 LF2	ASTM A182 F316
2	CAP	ASTM A105N	ASTM A350 LF2	ASTM A182 F316
3 (ENP)	BALL	ASTM A105N + ENP	ASTM A350 LF2 + ENP	-
3 (F316)	BALL	ASTM A182 F316	ASTM A182 F316	ASTM A182 F316
4 (ENP)	STEM	ASTM A29 4140 + ENP	ASTM A29 4140 + ENP	-
4 (F316)	STEM	ASTM A705 S17400	ASTM A705 S17400	ASTM A705 S17400
5 (ENP)	TRUNNION	ASTM A29 4140 + ENP	ASTM A29 4140 + ENP	-
5 (F316)	TRUNNION	ASTM A182 F316	ASTM A182 F316	ASTM A182 F316
6 (ENP)	SEAT CARRIER	ASTM A105N / 3 ENP	ASTM A350 LF2 + ENP	-
6 (F316)	SEAT CARRIER	ASTM A182 F316	ASTM A182 F316	ASTM A182 F316
7 (ENP)	SEAT FOLLOWER	ASTM A105N / 3 ENP	ASTM A350 LF2 + ENP	-
7 (F316)	SEAT FOLLOWER	ASTM A182 F316	ASTM A182 F316	ASTM A182 F316
8	BONNET	ASTM A 105N	ASTM A350 LF2	ASTM A182 F316
9	BONNET FLANGE	ASTM A 105N	ASTM A 350 LF2	ASTM A182 F316
10	SEAT INSERT (CL 150/300)	RTFE	RTFE	RTFE
10	SEAT INSERT (CL 600 & UP)	NYLON	NYLON	NYLON
11	SEAT SPACER	NYLON	NYLON	NYLON
12	O-RINGS	VITON	VITON	VITON
13	GASKETS	GRAPHITE	GRAPHITE	GRAPHITE
14	NUTS	ASTM A194 2HM	ASTM A194 7M	ASTM A194 GR8
15	WASHER	CARBON STEEL	CARBON STEEL	CARBON STEEL
16	LEVER TUBE	CARBON STEEL	CARBON STEEL	CARBON STEEL
17	STUDS	ASTM A193 B7M	ASTM A320 L7M	ASTM A193 B8M
18	SOCKET HEAD CAP SCREWS	ASTM A193 B7M	ASTM A320 L7M	ASTM A 193 B8M
19	HEX HEAD SCREWS	ASTM A193 B7M	ASTM A320 L7M	ASTM A193 B8M
20	DU BEARING	STEEL + PTFE	STEEL + PTFE	STEEL + PTFE
21	THRUST WASHER	STEEL + PTFE	STEEL + PTFE	STEEL + PTFE
22	DRAIN PLUG	ASTM A182 F316	ASTM A182 F316	ASTM A182 F316
23	SPRING	INCONEL X750	INCONEL X750	INCONEL X750
24	SPRING - ANTISTATIC	INCONEL X750	INCONEL X750	INCONEL X750
25	STOP PINS	CARBON STEEL	CARBON STEEL	STAINLESS STEEL
26	LEVER HANDLE	CARBON STEEL	CARBON STEEL	CARBON STEEL
27	SEALANT FITTING (NOT SHOWN)	ASTM A182 F316	ASTM A182 F316	ASTM A182 F316
28	STEM SEALANT FITTING (NOT SHOWN)	ASTM A182 F316	ASTM A182 F316	ASTM A182 F316
29	CHECK VALVE (NOT SHOWN)	ASTM A182 F316	ASTM A182 F316	ASTM A182 F316

* Note: Other materials available upon request.

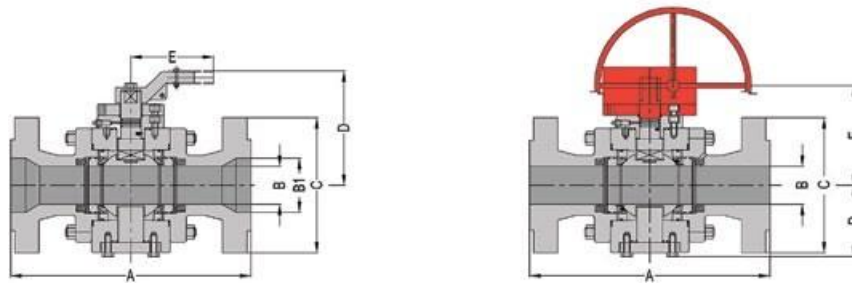
6" and up Trunnion Mounted Ball Valve



Bill of Materials

ITEM (TRIM)	PART	STANDARD NACE	LOW-TEMP NACE	STAINLESS STEEL NACE
1	BODY	ASTM A105N	ASTM A350 LF2	ASTM A182 F316
2	CAP	ASTM A105N	ASTM A350 LF2	ASTM A182 F316
3 (ENP)	BALL	ASTM A105N + ENP	ASTM A350 LF2	-
3 (F316)	BALL	ASTM A182 F316	ASTM A182 F316	ASTM A182 F316
4 (ENP)	STEM	ASTM A29 4140	ASTM A29 4140	-
4 (F316)	STEM	ASTM A705 S17400	ASTM A705 S17400	ASTM A705 S17400
5 (ENP)	SEAT CARRIER	ASTM A105N	ASTM A350 LF2	-
5 (F316)	SEAT CARRIER	ASTM A183 F316	ASTM A182 F316	ASTM A182 F316
6	SEAT INSERT (CL 150 - 300)	RTFE	RTFE	RTFE
6	SEAT INSERT (CL 600 - 2500)	NYLON	NYLON	NYLON
7	BEARING PLATE	ASTM A105N	ASTM A350 LF2	ASTM A182 F316
8	BONNET	ASTM A105N	ASTM A350 LF2	ASTM A182 F316
9	BONNET FLANGE	ASTM A105N	ASTM A350 LF2	ASTM A182 F316
10	O-RINGS	VITON	VITON	VITON
11	GASKETS	GRAPHITE	GRAPHITE	GRAPHITE
12	STUDS	ASTM A193 B7M	ASTM A320 L7M	ASTM A193 B8M
13	NUTS	ASTM A194 2HM	ASTM A194 7M	ASTM A194 GR8
14	SOCKET HEAD CAP SCREWS	ASTM A194 2HM	ASTM A194 7M	ASTM A194 GR8
15	DU BEARING	STEEL + PTFE	STEEL + PTFE	STEEL + PTFE
16	THRUST WASHER	STEEL + PTFE	STEEL + PTFE	STEEL + PTFE
17	DOWEL PIN	CARBON STEEL	CARBON STEEL	CARBON STEEL
18	SEALANT FITTING	ASTM A182 F316	ASTM A182 F316	ASTM A182 F316
19	CHECK VALVE	ASTM A182 F316	ASTM A182 F316	ASTM A182 F316
20	DRAIN PLUG	ASTM A182 F316	ASTM A182 F316	ASTM A182 F316
21	VENT PLUG	ASTM A182 F316	ASTM A182 F316	ASTM A182 F316
22	SPRING	INCONEL X750	INCONEL X750	INCONEL X750
23	GEAR BOX	CARBON STEEL	CARBON STEEL	CARBON STEEL
24	HAND WHEEL	CARBON STEEL	CARBON STEEL	CARBON STEEL
25	KEY	CARBON STEEL	CARBON STEEL	CARBON STEEL
26	LIFTING LUGS	CARBON STEEL	CARBON STEEL	CARBON STEEL
27	SUPPORT FEET	CARBON STEEL	CARBON STEEL	CARBON STEEL
28	STEM SEALANT FITTING (NOT SHOWN)	ASTM A182 F316	ASTM A182 F316	ASTM A182 F316

* Note: Other materials available upon request.



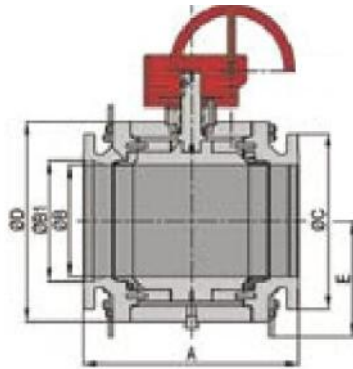
ASME 150 - Full Bore

NOMINAL SIZE	A - RF		A - RTJ		A - BW		B		C		D		E		WEIGHT	
	mm	in	mm	in	mm	in	mm	in	mm	in	mm	in	mm	in	kg	lb
2*	178	7.00	191	7.50	216	8.50	50	2.00	152.4	6.00	161	6.37	330	13.00	28	62
3*	203	8.00	216	8.50	283	11.13	77	3.00	190.5	7.50	190	7.50	340	13.37	52	115
4*	229	9.00	241	9.50	305	12.00	102	4.00	228.6	9.00	218	8.50	490	19.25	92	203

ASME 150 - Reduced Bore

NOMINAL SIZE	A - RF		A - RTJ		A - BW		B		B1		C		D		E		WEIGHT	
	mm	in	mm	in	mm	in	mm	in	mm	in	mm	in	mm	in	mm	in	kg	lb
2 x 1.5*	178	7.00	191	7.50	216	8.50	38	1.50	50.0	2.00	152.4	6.00	161	6.37	330	13	29	64
3 x 2*	203	8.00	216	8.50	283	11.13	50	2.00	77.0	3.00	190.5	7.50	161	6.37	330	13	32	71
4 x 3*	229	9.00	241	9.50	305	12.00	77	3.00	102.0	4.00	228.6	9.00	190	7.50	340	13	61	134
6 x 4*	394	15.50	406	16.00	457	18.00	102	4.00	152.0	6.00	279.4	11.00	218	8.50	490	19	100	220

*Lever Operated



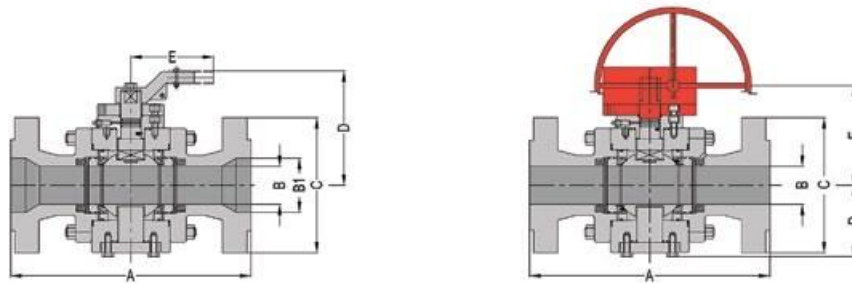
ASME 150 - Full Bore

NOMINAL SIZE	A - RF		A - RTJ		A - BW		B		C		D		E		WEIGHT	
	mm	in	mm	in	mm	in	mm	in	mm	in	mm	in	mm	in	kg	lb
6	394	15.50	406	16.00	457	18.00	152	6.00	279.4	11.00	325	12.75	200	7.87	168	370
8	457	18.00	470	18.50	521	20.50	203	8.00	342.9	13.50	400	15.75	240	9.50	265	584
10	533	21.00	546	21.50	559	22.00	254	10.00	406.4	16.00	490	19.25	290	11.50	496	1093
12	610	24.00	622	24.50	635	25.00	305	12.00	482.6	19.00	560	22.00	320	12.62	710	1565
14	686	27.00	699	27.50	762	30.00	337	13.25	533.4	21.00	610	24.00	350	13.75	912	2011
16	762	30.00	775	30.50	838	33.00	387	15.25	596.9	23.50	680	26.75	390	15.25	1253	2762
18	864	34.00	876	34.50	914	36.00	438	17.25	635.0	25.00	753	29.62	430	17.00	1603	3534
20	914	36.00	927	36.50	991	39.00	489	19.25	698.5	27.50	830	32.62	465	18.37	1969	4341
24	1067	42.00	1080	42.50	1143	45.00	591	23.25	812.8	32.00	1000	39.37	550	21.62	2389	5267

ASME 150 - Reduced Bore

NOMINAL SIZE	A - RF		A - RTJ		A - BW		B		B1		C		D		E		WEIGHT	
	mm	in	mm	in	mm	in	mm	in	mm	in	mm	in	mm	in	mm	in	kg	lb
8 x 6	457	18.00	470	18.50	521	20.50	152	6.00	203	8.00	342.9	13.50	325	12.75	200	7.87	195	430
10 x 8	533	21.00	546	21.50	559	22.00	203	8.00	254	10.00	406.4	16.00	400	15.75	240	9.50	305	672
12 x 10	610	24.00	622	24.50	635	25.00	254	10.00	305	12.00	282.6	11.13	490	19.25	290	11.50	560	1235
14 x 12	686	27.00	699	27.50	762	30.00	305	12.00	337	13.25	533.4	21.00	560	22.00	320	12.62	774	1706
16 x 14	762	30.00	775	30.50	838	33.00	337	13.25	387	15.25	596.9	23.50	610	24.00	350	13.75	990	2183
18 x 16	864	34.00	876	34.50	914	36.00	387	15.25	438	17.25	635.0	25.00	680	26.75	390	15.25	1355	2987
20 x 18	914	36.00	927	36.50	991	39.00	438	17.25	489	19.25	698.5	27.50	753	29.62	430	17.00	1763	3887
24 x 20	1067	42.00	1080	42.50	1143	45.00	489	19.25	591	23.25	812.8	32.00	830	32.62	465	18.37	2166	4775

* Imperial dimensions are for reference only and have been rounded off to the nearest decimal.



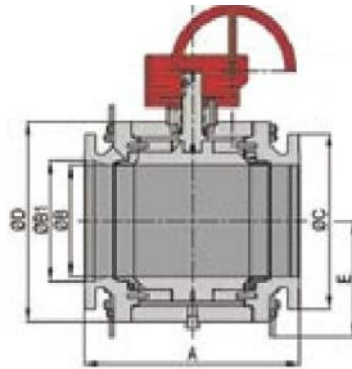
ASME 300 - Full Bore

NOMINAL SIZE	A - RF		A - RTJ		A - BW		B		C		D		E		WEIGHT	
	mm	in	mm	in	mm	in	mm	in	mm	in	mm	in	mm	in	kg	lb
2*	216	8.50	232	9.13	216	8.50	50	2.00	165.1	6.50	161	6.37	330	13.00	34	75
3*	283	11.12	298	11.75	283	11.12	77	3.00	209.6	8.25	190	7.50	490	19.25	56	123
4*	305	12.00	321	12.62	305	12.00	102	4.00	254.0	10.00	218	8.50	890	35.00	98	216

ASME 300 - Reduced Bore

NOMINAL SIZE	A - RF		A - RTJ		A - BW		B		B1		C		D		E		WEIGHT	
	mm	in	mm	in	mm	in	mm	in	mm	in	mm	in	mm	in	mm	in	kg	lb
2 x 1.5*	216	8.50	232	9.12	216	8.50	38	1.50	50.0	2.00	165.1	6.50	161	6.37	330	13	35	77
3 x 2*	283	11.12	298	11.75	283	11.12	50	2.00	77.0	3.00	209.0	8.25	161	6.37	330	13	37	82
4 x 3*	305	12.00	321	12.62	305	12.00	77	3.00	102.0	4.00	254.0	10.00	190	7.50	490	19	64	141
6 x 4*	403	15.87	419	16.50	457	18.00	102	4.00	152.0	6.00	317.5	12.50	218	8.50	890	35	120	265

*Lever Operated



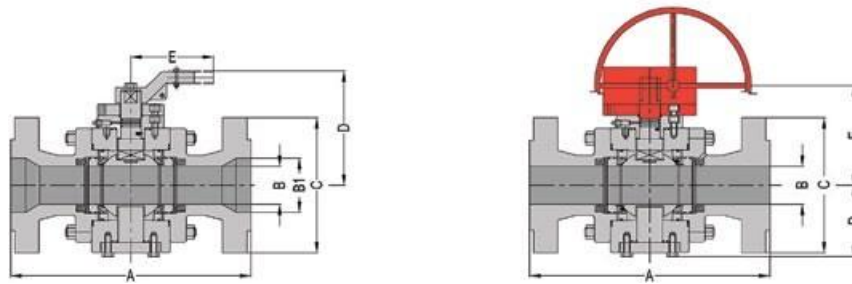
ASME 300 - Full Bore

NOMINAL SIZE	A - RF		A - RTJ		A - BW		B		C		D		E		WEIGHT	
	mm	in	mm	in	mm	in	mm	in	mm	in	mm	in	mm	in	kg	lb
6	403	15.87	419	16.50	457	18.00	152	6.00	317.5	12.50	325	12.80	200	7.87	184	406
8	502	19.75	518	20.37	521	20.50	203	8.00	381.0	15.00	400	15.75	240	9.50	298	657
10	568	22.37	584	23.00	559	22.00	254	10.00	445.0	17.50	490	19.25	290	11.50	507	1118
12	648	25.50	664	26.12	635	25.00	305	12.00	520.7	20.50	560	22.00	320	12.62	777	1713
14	762	30.00	778	30.62	762	30.00	337	13.25	584.2	23.00	610	24.00	350	13.75	1059	2335
16	838	33.00	854	33.62	838	33.00	387	15.25	647.7	25.50	680	26.75	390	15.37	1369	3018
18	914	36.00	930	36.62	914	36.00	438	17.25	711.2	28.00	760	30.00	430	17.00	1793	3953
20	991	39.00	1010	39.75	991	39.00	489	19.25	774.7	30.50	845	33.25	475	18.75	2433	5364
24	1143	45.00	1165	45.87	1143	45.00	591	23.25	914.4	36.00	1015	40.00	557.5	22.00	3416	7531

ASME 300 - Reduced Bore

NOMINAL SIZE	A - RF		A - RTJ		A - BW		B		B1		C		D		E		WEIGHT	
	mm	in	mm	in	mm	in	mm	in	mm	in	mm	in	mm	in	mm	in	kg	lb
8 x 6	502	19.75	518	20.37	521	20.50	152	6.00	203	8.00	381.0	15.00	325	12.75	200	7.87	220	485
10 x 8	568	22.37	584	23.00	559	22.00	203	8.00	254	10.00	445.0	17.50	400	15.75	240	9.50	345	761
12 x 10	648	25.50	664	26.12	635	25.00	254	10.00	305	12.00	520.7	20.50	490	19.25	290	11.50	590	1301
14 x 12	762	30.00	778	30.62	762	30.00	305	12.00	337	13.25	584.2	23.00	560	22.00	320	12.62	883	1947
16 x 14	838	33.00	854	33.62	838	33.00	337	13.25	387	15.25	647.7	25.50	610	24.00	350	13.75	1185	2612
18 x 16	914	36.00	930	36.62	914	36.00	387	15.25	438	17.25	711.2	28.00	680	26.75	390	15.25	1525	3362
20 x 18	991	39.00	1010	39.75	991	39.00	438	17.25	489	19.25	774.7	30.50	760	30.00	430	17.00	1948	4295
24 x 20	1143	45.00	1165	45.87	1143	45.00	489	19.25	591	23.25	914.4	36.00	845	33.25	475	18.75	2972	6552

* Imperial dimensions are for reference only and have been rounded off to the nearest decimal.



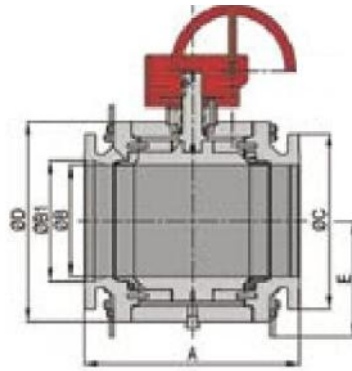
ASME 600 - Full Bore

NOMINAL SIZE	A - RF		A - RTJ		A - BW		B		C		D		E		WEIGHT	
	mm	in	mm	in	mm	in	mm	in	mm	in	mm	in	mm	in	kg	lb
2*	292	11.50	295	11.62	292	11.50	50	2.00	165.1	6.50	192	7.50	492	19.37	54	119
3*	356	14.00	359	14.12	356	14.00	77	3.00	209.6	8.25	223	8.75	752	29.62	72	159
4	432	17.00	435	17.12	432	17.00	102	4.00	273.1	10.75	260	10.25	147	5.75	130	287

ASME 600 - Reduced Bore

NOMINAL SIZE	A - RF		A - RTJ		A - BW		B		B1		C		D		E		WEIGHT	
	mm	in	mm	in	mm	in	mm	in	mm	in	mm	in	mm	in	mm	in	kg	lb
2 x 1.5*	292	11.50	295	11.62	292	11.50	38	1.50	50.0	2.00	165.1	6.50	192	7.50	492	19	49	108
3 x 2*	356	14.00	359	14.12	356	14.00	50	2.00	77.0	3.00	209.6	8.25	192	7.50	492	19	69	152
4 x 3*	432	17.00	435	17.12	432	17.00	77	3.00	102.0	4.00	273.0	10.75	223	8.75	752	30	115	254
6 x 4	559	22.00	562	22.12	559	22.00	102	4.00	152.0	6.00	355.6	14.00	155	6.00	236.5	9	240	529

*Lever Operated



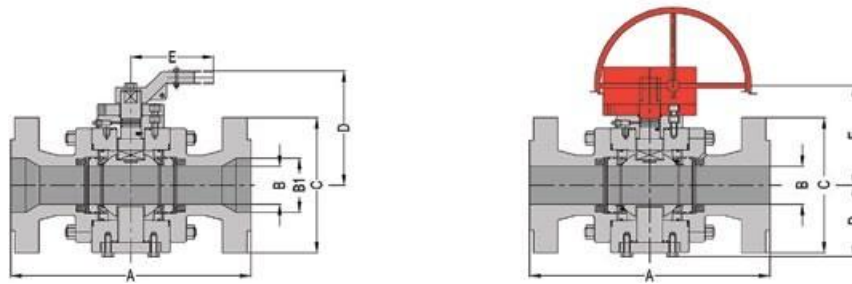
ASME 600 - Full Bore

NOMINAL SIZE	A - RF		A - RTJ		A - BW		B		C		D		E		WEIGHT	
	mm	in	mm	in	mm	in	mm	in	mm	in	mm	in	mm	in	kg	lb
6	559	22.00	562	22.12	559	22.00	152	6.00	356.0	14.00	325	12.75	220	8.62	259	571
8	660	26.00	664	26.12	660	26.00	203	8.00	419.0	16.50	415	16.37	260	10.25	478	1054
10	787	31.00	791	31.12	787	31.00	254	10.00	508.0	20.00	490	19.25	300	11.87	770	1698
12	838	33.00	841	33.12	838	33.00	305	12.00	559.0	22.00	580	22.87	345	13.50	1070	2359
14	889	35.00	892	35.12	889	35.00	324	12.75	603.3	23.75	640	25.25	370	14.50	1218	2685
16	991	39.00	994	39.12	991	39.00	387	15.25	685.8	27.00	725	28.50	413	16.25	1942	4281
18	1092	43.00	1095	43.12	1092	43.00	438	17.25	743.0	29.25	790	31.12	445	17.50	2426	5348
20	1194	47.00	1200	47.25	1194	47.00	489	19.25	812.8	32.00	890	35.00	490	19.25	3260	7187
24	1397	55.00	1407	55.37	1397	55.00	591	23.25	939.8	37.00	1060	41.75	580	22.75	5173	11405

ASME 600 - Reduced Bore

NOMINAL SIZE	A - RF		A - RTJ		A - BW		B		B1		C		D		E		WEIGHT	
	mm	in	mm	in	mm	in	mm	in	mm	in	mm	in	mm	in	mm	in	kg	lb
8 x 6	660	26.00	664	26.12	660	26.00	152	6.00	203	8.00	419.0	16.50	325	12.75	220	8.62	312	688
10 x 8	787	31.00	791	31.12	787	31.00	203	8.00	254	10.00	508.0	20.00	415	16.37	260	10.25	591	1303
12 x 10	838	33.00	841	33.12	838	33.00	254	10.00	305	12.00	559.0	22.00	490	19.25	300	11.87	843	1858
14 x 12	889	35.00	892	35.12	889	35.00	305	12.00	337	13.25	603.3	23.75	580	22.87	345	13.50	1152	2540
16 x 14	991	39.00	994	39.12	991	39.00	337	13.25	387	15.25	685.8	27.00	640	25.25	370	14.50	1486	3276
18 x 16	1092	43.00	1095	43.12	1092	43.00	387	15.25	438	17.25	743.0	29.25	725	28.50	413	16.25	2050	4519
20 x 18	1194	47.00	1200	47.25	1194	47.00	438	17.25	489	19.25	812.8	32.00	790	31.12	445	17.50	2935	6471
24 x 20	1397	55.00	1407	55.37	1397	55.00	489	19.25	591	23.25	939.8	37.00	890	35.00	490	19.25	3802	8382

* Imperial dimensions are for reference only and have been rounded off to the nearest decimal.



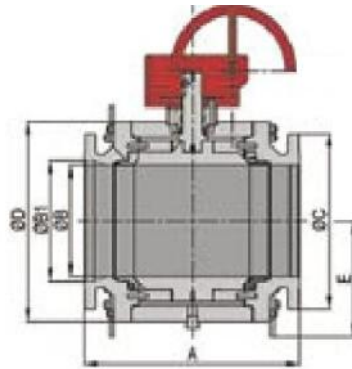
ASME 900 - Full Bore

NOMINAL SIZE	A - RF		A - RTJ		A - BW		B		C		D		E		WEIGHT	
	mm	in	mm	in	mm	in	mm	in	mm	in	mm	in	mm	in	kg	lb
2*	368	14.50	371	14.62	368	14.50	50	2.00	215.9	8.50	192	7.50	742	29.25	65	143
3*	381	15.00	384	15.12	381	15.00	77	3.00	241.3	9.50	225	8.87	840	33.00	95	209
4	457	18.00	460	18.12	457	18.00	102	4.00	273.1	10.75	205	8.00	155	6.00	194	428

ASME 900 - Reduced Bore

NOMINAL SIZE	A - RF		A - RTJ		A - BW		B		B1		C		D		E		WEIGHT	
	mm	in	mm	in	mm	in	mm	in	mm	in	mm	in	mm	in	mm	in	kg	lb
2 x 1.5*	368	14.50	371	14.62	368	14.50	38	1.50	50.0	2.00	215.9	8.50	192	7.50	742	29	65	143
3 x 2*	381	15.00	384	15.12	381	15.00	50	2.00	77.0	3.00	241.3	9.50	192	7.50	742	29	73	161
4 x 3*	457	18.00	460	18.12	457	18.00	77	3.00	102.0	4.00	273.1	10.75	225	8.87	840	33	120	265
6 x 4	610	24.00	613	24.12	610	24.00	102	4.00	152.0	6.00	381.0	15.00	155	6.00	236.5	9	262	578

*Lever Operated



ASME 900 - Full Bore

NOMINAL SIZE	A - RF		A - RTJ		A - BW		B		C		D		E		WEIGHT	
	mm	in	mm	in	mm	in	mm	in	mm	in	mm	in	mm	in	kg	lb
6	610	24.00	613	24.12	610	24.00	152	6.00	381.0	15.00	325	12.75	245	9.62	311	686
8	737	29.00	740	29.12	737	29.00	203	8.00	470.0	18.50	415	16.37	280	11.00	601	1325
10	838	33.00	841	33.12	838	33.00	254	10.00	546.0	21.50	515	20.25	315	12.37	915	2017
12	965	38.00	968	38.12	965	38.00	305	12.00	609.6	24.00	605	23.87	345	13.50	1348	2972
14	1029	40.50	1038	40.87	1029	40.50	324	12.75	641.4	25.25	670	26.37	385	15.12	1889	4165
16	1130	44.50	1140	44.87	1130	44.50	375	14.75	704.9	27.75	740	29.12	420	16.50	2359	5201
18	1219	48.00	1232	48.50	1219	48.00	425	16.75	787.4	31.00	840	33.00	470	18.50	3217	7092
20	1321	52.00	1334	52.50	1321	52.00	473	18.62	857.3	33.75	935	36.87	550	21.62	4193	9244
24	1549	61.00	1568	61.75	1549	61.00	572	22.50	1041.	41.00	1135	44.62	640	25.00	7263	16012

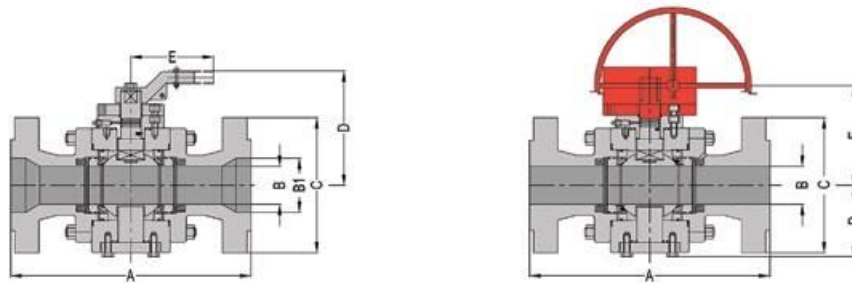
4

ASME 900 - Reduced Bore

NOMINAL SIZE	A - RF		A - RTJ		A - BW		B		B1		C		D		E		WEIGHT	
	mm	in	mm	in	mm	in	mm	in	mm	in	mm	in	mm	in	mm	in	kg	lb
8 x 6	737	29.00	740	29.12	737	29.00	152	6.00	203	8.00	470.0	18.50	325	12.75	245	9.62	410	904
10 x 8	838	33.00	841	33.12	838	33.00	203	8.00	254	10.00	546.0	21.50	415	16.37	280	11.00	710	1565
12 x 10	965	38.00	968	38.12	965	38.00	254	10.00	305	12.00	609.6	24.00	515	20.25	315	12.37	1053	2321
14 x 12	1029	40.50	1038	40.87	1029	40.50	305	12.00	324	12.75	641.4	25.25	605	23.87	345	13.50	1435	3164
16 x 14	1130	44.50	1140	44.87	1130	44.50	324	12.75	375	14.75	704.9	27.75	670	26.37	385	15.12	2031	4478
18 x 16	1219	48.00	1232	48.50	1219	48.00	375	14.75	425	16.75	787.4	31.00	740	29.12	420	16.50	2659	5862
20 x 18	1321	52.00	1334	52.50	1321	52.00	425	16.75	473	18.62	857.3	33.75	840	33.00	470	18.50	3865	8521
24 x 20	1549	61.00	1568	61.75	1549	61.00	473	18.62	572	22.50	1041.	41.00	935	36.87	550	21.62	6278	13841

4

* Imperial dimensions are for reference only and have been rounded off to the nearest decimal.



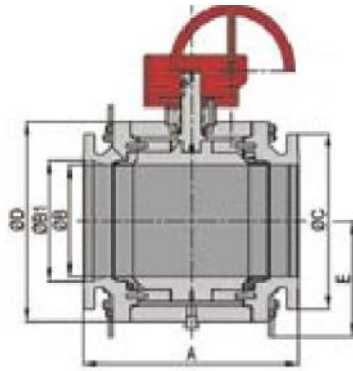
ASME 1500 - Full Bore

NOMINAL SIZE	A - RF		A - RTJ		A - BW		B		C		D		E		WEIGHT	
	mm	in	mm	in	mm	in	mm	in	mm	in	mm	in	mm	in	kg	lb
2*	368	14.50	371	14.62	368	14.50	50	2.00	215.9	8.50	192	7.50	742	29.25	65	143
3	470	18.50	473	18.62	470	18.50	77	3.00	266.7	10.50	168	6.62	130	5.12	130	287
4	546	21.50	549	21.62	546	21.50	102	4.00	311.2	12.25	205	8.00	155	6.00	245	540

ASME 1500 - Reduced Bore

NOMINAL SIZE	A - RF		A - RTJ		A - BW		B		B1		C		D		E		WEIGHT	
	mm	in	mm	in	mm	in	mm	in	mm	in	mm	in	mm	in	mm	in	kg	lb
2 x 1.5*	368	14.50	371	14.62	368	14.50	38	1.50	50.0	2.00	215.9	8.50	195	7.62	742	29	65	143
3 x 2*	470	18.50	473	18.62	470	18.50	50	2.00	77.0	3.00	266.7	10.50	142	5.50	742	29	102	225
4 x 3	546	21.50	549	21.62	546	21.50	77	3.00	102.0	4.00	311.2	12.25	168	6.62	130	5	144	317
6 x 4	705	27.75	711	28.00	705	27.75	102	4.00	152.0	6.00	393.7	15.50	205	8.00	154.5	6	326	719

*Lever Operated



ASME 1500 - Full Bore

NOMINAL SIZE	A - RF		A - RTJ		A - BW		B		C		D		E		WEIGHT	
	mm	in	mm	in	mm	in	mm	in	mm	in	mm	in	mm	in	kg	lb
6	705	27.75	711	28.00	705	27.75	146	5.75	393.7	15.50	380	15.00	250	9.87	473	1043
8	832	32.75	841	33.12	832	32.75	194	7.62	482.6	19.00	485	19.00	300	11.87	877	1933
10	991	39.00	1000	39.37	991	39.00	241	9.50	584.2	23.00	590	23.25	350	13.75	1473	3247
12	1130	44.50	1146	45.12	1130	44.50	289	11.37	673.1	26.50	700	27.50	400	15.75	2409	5311
14	1257	49.50	1276	50.25	1257	49.50	318	12.50	749.3	29.50	770	30.37	440	17.37	3145	6934
16	1384	54.50	1407	55.37	1384	54.50	362	14.25	825.5	32.50	860	33.87	480	19.00	4140	9127
18	1537	60.50	1559	61.37	1537	60.50	410	16.13	914.4	36.00	980	38.50	540	21.25	5800	12787
20	1664	65.50	1686	66.37	1664	65.50	456	18.00	984.0	38.75	1080	42.50	650	25.50	8120	17902
24	1972	77.62	1972	77.62	1972	77.64	544	21.50	1170.0	46.00	1260	69.62	705	27.75	11300	24912

ASME 1500 - Reduced Bore

NOMINAL SIZE	A - RF		A - RTJ		A - BW		B		B1		C		D		E		WEIGHT	
	mm	in	mm	in	mm	in	mm	in	mm	in	mm	in	mm	in	mm	in	kg	lb
8 x 6	832	32.75	841	33.12	832	32.75	146	5.75	194	7.62	482.6	19.00	380	15.00	250	9.87	647	1426
10 x 8	991	39.00	1000	39.37	991	39.00	194	7.62	241	9.50	584.2	23.00	485	19.00	300	11.87	1095	2414
12 x 10	1130	44.50	1146	45.12	1130	44.50	241	9.50	289	11.37	673.1	26.50	590	23.25	350	13.75	1759	3878
14 x 12	1257	49.50	1276	50.25	1257	49.50	318	12.50	289	11.37	749.3	29.50	700	27.50	400	15.75	2757	6078
16 x 14	1384	54.50	1407	55.37	1384	54.50	362	14.25	318	12.50	825.5	32.50	770	30.37	440	17.37	3565	7859
18 x 16	1537	60.50	1559	61.37	1537	60.50	410	16.13	362	14.25	914.4	36.00	860	33.87	480	19.00	4605	10152
20 x 18	1664	65.50	1686	66.37	1664	65.50	456	18.00	410	16.13	984.0	38.74	980	38.50	540	21.25	6500	14330
24 x 20	1972	77.62	1972	77.62	1972	77.64	544	21.50	456	18.00	1170.0	46.06	1080	42.50	650	25.50	9055	19963

* Imperial dimensions are for reference only and have been rounded off to the nearest decimal.



Built with Integrity

Ph: 281.933.5775

Fax: 281.933.5779

sales@jagflo.com

www.jagvalve.com

