

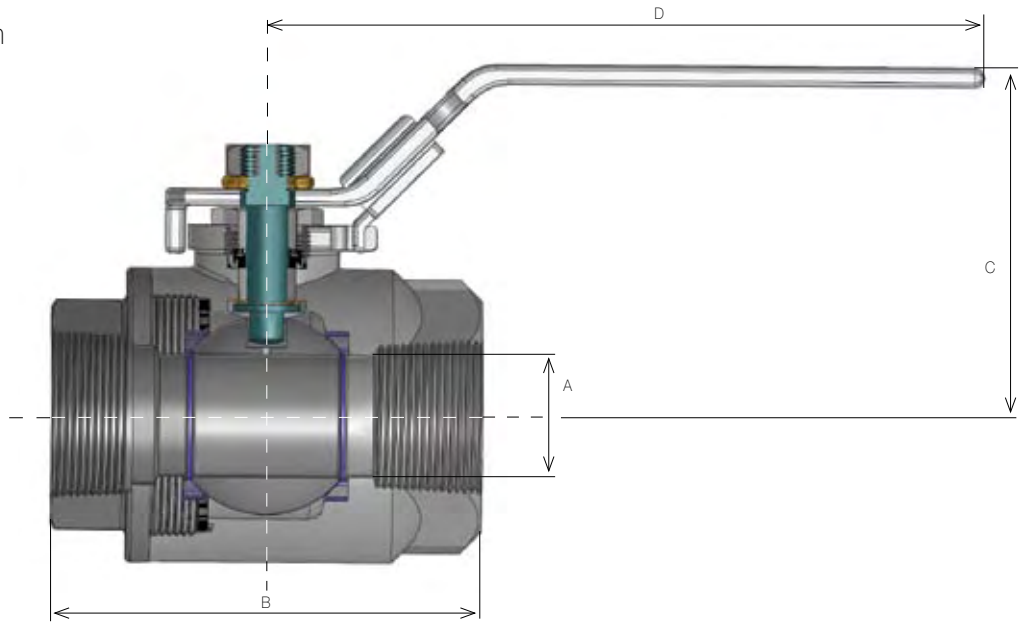
T2 / T2W class 900 NPT Ends

T2 Product Features

- 2-piece Threaded Body
- Full or Reduced Port
- ASME B16.34
- API 608
- NACE MR0175
- Blow-out Proof Stem
- Locking Handle
- Dual Stem Seals
- Fire Safe to API 607

T2W Product Features

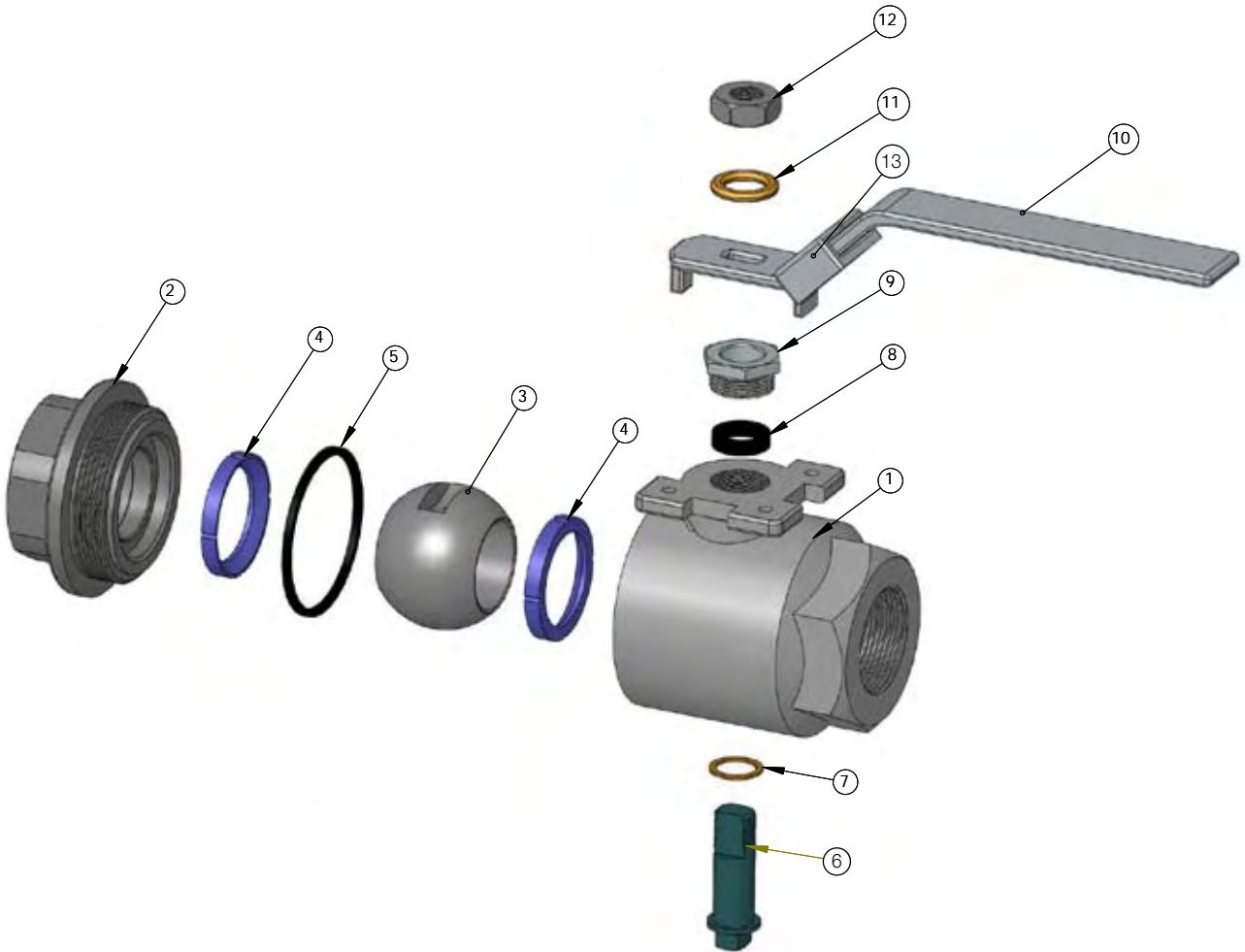
- 2-piece Fully Seal Welded



T2 & T2W Dimensions												
Size		Bore	A		B		C		D		Weight	
in	mm		in	mm	in	mm	in	mm	in	mm	lbs.	kg.
1/4"	6.4	FP	0.43	11.00	2.65	67.31	2.24	57.00	5.00	127.00	1	.45
3/8"	9.5	FP	0.43	11.00	2.65	67.31	2.24	57.00	5.00	127.00	1.2	.54
1/2"	12.7	RP	0.43	11.00	2.65	67.31	2.24	57.00	5.00	127.00	1.2	.54
3/4"	19.1	RP	0.59	15.01	3.08	78.23	2.38	60.40	5.00	127.00	1.6	.73
		FP	0.79	19.99	3.08	78.23	2.95	75.01	5.83	147.90	1.6	.73
1"	25.4	RP	0.79	19.99	3.54	89.92	2.95	75.01	5.83	147.90	2.75	1.2
		FP	1.00	25.40	3.54	89.92	3.09	78.41	5.83	147.90	2.75	1.2
1 1/4"	32	RP	1.00	25.40	4.01	101.85	3.09	77.00	5.83	147.90	4	1.8
1 1/2"	38.1	RP	1.26	32.00	4.26	108.20	3.73	94.69	8.19	207.90	6	2.7
		FP	1.50	38.00	4.72	119.89	3.96	100.61	8.19	207.90	6	2.7
2"	50.8	RP	1.50	38.00	4.94	125.48	3.96	100.61	8.19	207.90	9.2	4.2
		FP	2.00	50.80	5.51	140.00	4.42	112.19	10.15	257.81	9.2	4.2

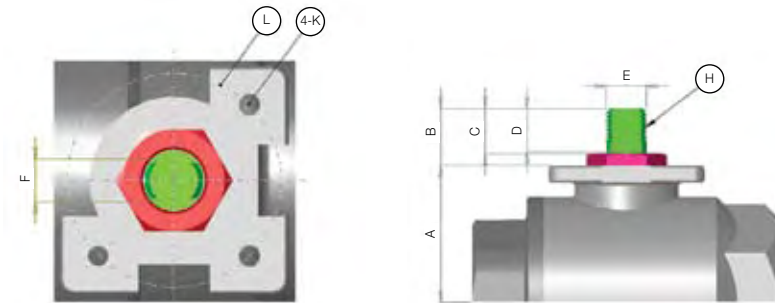
Dimensions +/- 0.059 in (+/- 1.5mm)

Weights are approximate



T2 & T2W 900 BOM					
NO.	PARTS	QTY	NACE	LOW TEMP NACE	STAINLESS STEEL
1	Body	1	WCB	LCC	CF8M
2	End Cap	1	WCB	LCC	CF8M
3	Ball	1	CF8M	CF8M	CF8M
4	Seat	2	RTFE	RTFE	RTFE
5	Gasket	1	Graphite	Graphite	Graphite
6	Stem	1	316 SS	316 SS	316 SS
7	Thrust Washer	1	RTFE	RTFE	RTFE
8	Stem Packing	1	Graphite	Graphite	Graphite
9	Packing Nut	1	304 SS	304 SS	304 SS
10	Handle	1	304 SS	304 SS	304 SS
11	Lock Washer	1	304 SS	304 SS	304 SS
12	Stem Nut	1	304 SS	304 SS	304 SS
13	Locking Device	1	304 SS	304 SS	304 SS

T2 / T2W topworks



Top Works																	
Size / FP or RP	A		B		C		D		E		F		H	4-K	L		ISO 5211 Mounting
	in	mm	in	mm	in	mm	in	mm	in	mm	in	mm	in	in	in	mm	
1/4" FP	0.937	23.8	0.591	15.0	0.413	10.50	0.413	10.5	0.309	7.9	0.200	5.0	5/16-24UNF	1/4-20UNC	1.420	36	F03
3/8" FP	0.937	23.8	0.591	15.0	0.413	10.50	0.413	10.5	0.309	7.9	0.200	5.0	5/16-24UNF	1/4-20UNC	1.420	36	F03
1/2" RP	0.937	23.8	0.591	15.0	0.413	10.50	0.413	10.5	0.309	7.9	0.200	5.0	5/16-24UNF	1/4-20UNC	1.420	36	F03
1/2" FP	0.976	24.8	0.630	16.0	0.414	10.52	0.413	10.5	0.309	7.9	0.200	5.0	5/16-24UNF	1/4-20UNC	1.420	36	F03
3/4" RP	1.070	27.2	0.591	15.0	0.413	10.50	0.413	10.5	0.309	7.9	0.200	5.0	5/16-24UNF	1/4-20UNC	1.420	36	F03
3/4" FP	1.370	34.8	0.776	19.7	0.552	14.00	0.552	14.0	0.433	11.0	0.270	7.0	7/16-14UNC	1/4-20UNC	1.650	42	F04
1" RP	1.370	34.8	0.776	19.7	0.552	14.00	0.552	14.0	0.433	11.0	0.270	7.0	7/16-14UNC	1/4-20UNC	1.650	42	F04
1" FP	1.528	38.8	0.787	20.0	0.570	14.50	0.570	14.5	0.433	11.0	0.270	7.0	7/16-14UNC	1/4-20UNC	1.650	42	F04
1-1/4" RP	1.528	38.8	0.787	20.0	0.570	14.50	0.570	14.5	0.433	11.0	0.270	7.0	7/16-14UNC	1/4-20UNC	1.650	42	F04
1-1/4" FP	1.976	50.2	1.325	33.7	1.030	26.16	0.760	19.3	0.599	14.2	0.370	9.5	9/16-12UNC	1/4-20UNC	1.970	50	F05
1-1/2" RP	1.976	50.2	1.055	26.8	0.760	19.30	0.760	19.3	0.599	14.2	0.370	9.5	9/16-12UNC	1/4-20UNC	1.970	50	F05
1-1/2" FP	2.205	56.0	1.059	26.9	0.760	19.30	0.760	19.3	0.599	14.2	0.370	9.5	9/16-12UNC	1/4-20UNC	1.970	50	F05
2" RP	2.205	56.0	1.059	26.9	0.760	19.30	0.760	19.3	0.599	14.2	0.370	9.5	9/16-12UNC	1/4-20UNC	1.970	50	F05
2" FP	2.559	65.0	1.291	32.8	1.008	25.60	1.008	25.6	0.620	15.8	0.390	10.0	5/8-11UNC	5/16-18UNC	2.760	70	F07

T2 / T2W break torques & mounting pattern

T2 Break Torque Data			
*Torque	PSI	2220	
	ASME Class	900	
		in/lbs	N-M
1/4" FP	RTFE	35	4
3/8" FP	RTFE	35	4
1/2" RP	RTFE	35	4
1/2" FP	RTFE	53	6
3/4" RP	RTFE	71	8
3/4" FP	RTFE	120	14
1" RP	RTFE	120	14
1" FP	RTFE	140	16
1-1/4" RP	RTFE	140	16
1-1/4" FP	RTFE	250	28
1-1/2" RP	RTFE	250	28
1-1/2" FP	RTFE	350	40
2" RP	RTFE	350	40
2" FP	RTFE	442	50



T2W Fully Seal Welded Stainless Steel



T2 in NACE Carbon Steel

*All torques are based upon clean liquid service. Factors such as temperature, number of cycles and media will effect torque and may require additional safety factors.