

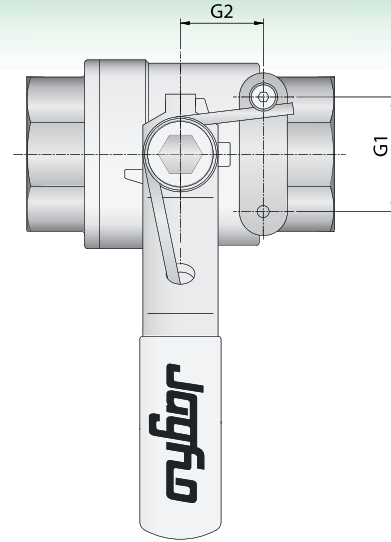


Style C2-ESR

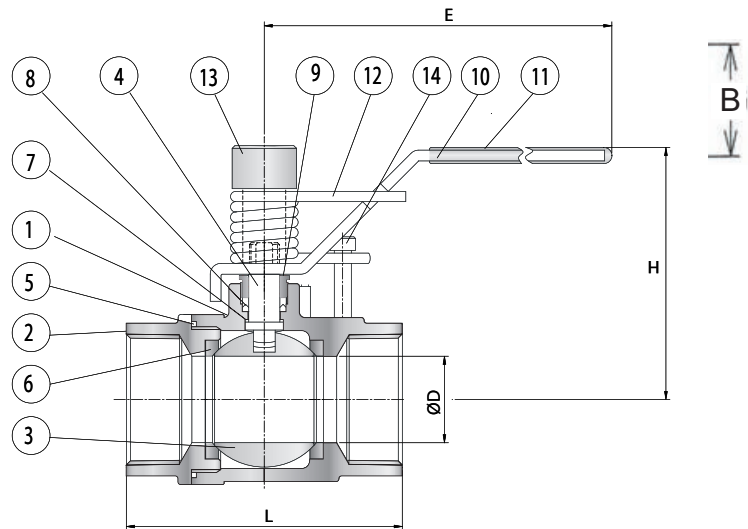
Exposed Spring Return

Product Features

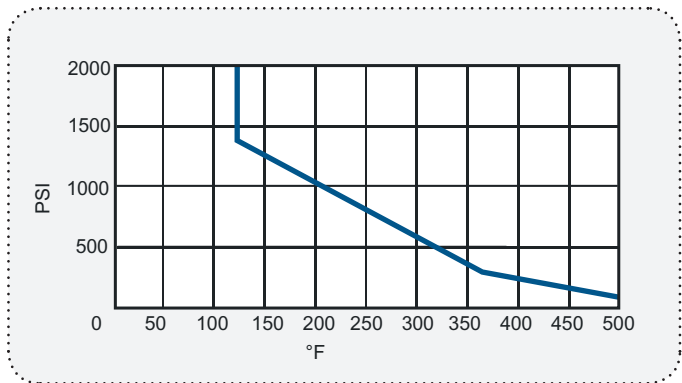
- 2000 WOG Regular Port Ball Valve
- Threaded Two-piece 316 SS Body Design
- 316 SS (Nace) Trim
- NPT Ends
- Chrome-plated Exposed Spring



No.	PART	QTY	MATERIAL
1	BODY	1	CF8M
2	ENDCAP	1	CF8M
3	BALL	1	SS316
4	STEM	1	SS316
5	BODY SEAL	1	PTFE
6	SEAT	2	RPTFE
7	STEM SEAL	1	PTFE
8	STEM PACKING	1	PTFE
9	GLAND NUT	1	SS304
10	HANDLE	1	SS304
11	HANDLE SLEEVE	1	VINYL
12	SPRING	1	STEEL
13	BOLT	1	STEEL
14	STOPPER BOLT	1	STEEL



SIZE	ØD	E	H	L	G1	G2
1/4"	9.5	118	61	52	28	12.7
3/8"	9.5	118	61	52	28	12.7
1/2"	12.7	118	64	62	28	12.7
3/4"	15	138	85	69	35	22.4
1"	20	138	89	84	35	22.4
1 1/4"	25	179	86.5	90	38.1	25.4
1 1/2"	32	179	91.5	104	38.1	25.4
2"	38	216	105	117	38.1	25.4



We reserve the right to modify dimensions or materials.

JAG flocomponents USA, Inc.

12315 Parc Crest Drive #190, Stafford, Texas 77477

tel: (281) 933-5775 fax: (281) 933-5779

ussales@jagflo.com www.jagflo.com





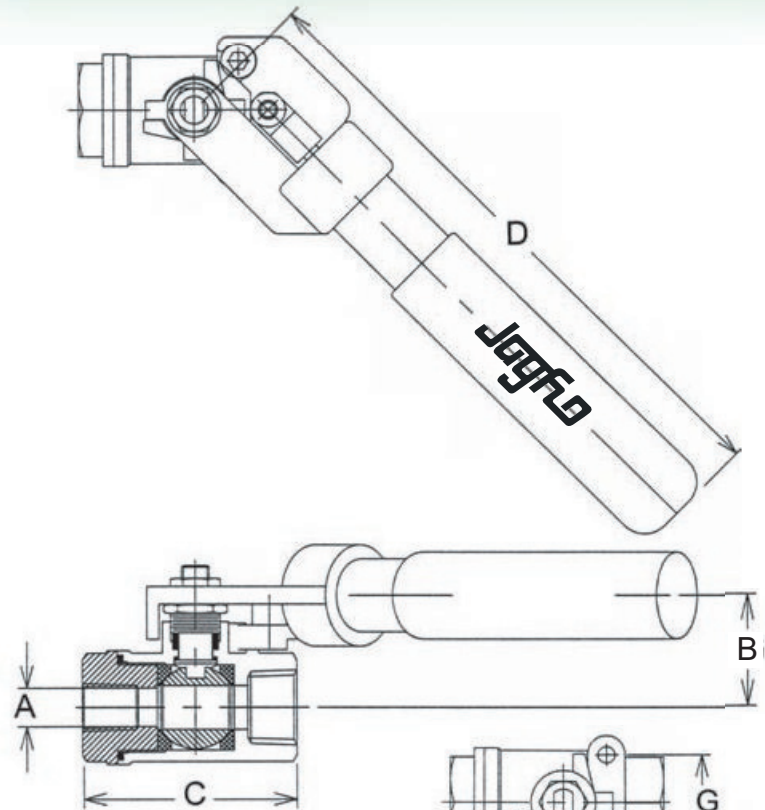
Style C2-HSR

Hidden Spring Return

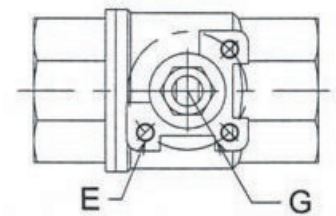
Product Features

- 2000 WOG Regular Port Ball Valve
- Threaded Two-piece 316 SS Body Design
- 316 SS (Nace) Trim
- NPT Ends
- Hidden Spring Return (inside the handle)

PART	MATERIAL
HANDLE GRIP	VINYL
HANDLE	SS304
HANDLE NUT	CS PLATED
GLAND	CS A108
STEM	SS316 A276
PACKING	PTFE
THRUST WASHER	REINFORCED TEFLON 15% GF
SEAT	REINFORCED TEFLON 15% GF
BALL	SS316 A276
CAP	A351 CF8M
BODY	A351 CF8M
GASKET	PTFE

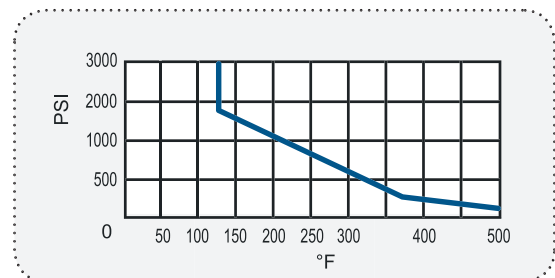


SIZE 1/4" TO 1"



SIZE 1-1/4" TO 2"

SIZE	1/4"	3/8"	1/2"	3/4"	1"	1 1/4"	1 1/2"	2"	
A	mm	11	12.5	12.5	17.5	22	25	31.8	38
	in	0.433	0.492	0.492	0.689	0.866	0.984	1.252	1.496
B	mm	34	34	34	45	48	58	63.5	66.5
	in	1.338	1.338	1.338	1.771	1.889	2.283	2.5	2.618
C	mm	58.5	58.5	61.5	79.5	88.5	102	111	136.9
	in	2.303	2.303	2.421	3.130	3.484	4.015	4.370	5.390
D	mm	180	180	180	180	180	260	260	260
	in	7.086	7.086	7.086	7.086	7.086	10.236	10.236	10.236
E	mm	M6	M6	M6	M6	M6	M8	M8	M8
	in	0.236	0.236	0.236	0.236	0.236	0.315	0.315	0.315
F	mm	12.7	12.7	12.7	22.1	22.1	-	-	-
	in	0.5	0.5	0.5	0.870	0.870	-	-	-
G	mm	28.45	28.45	28.45	34.8	34.8	Ø50	Ø50	Ø50
	in	1.120	1.120	1.120	1.370	1.370	Ø1.968	Ø1.968	Ø1.968
Cv(m ³ /h)		6.8	6.8	9.8	25	35	47	81	105



We reserve the right to modify dimensions or materials.

JAG flocomponents LP

4127 53rd Ave. NW, Edmonton AB T6B 3R5

tel: (780) 485-2333 fax: (780) 485-2316

info@jagflo.com www.jagflo.com

